

# **PARTS MANUAL**

**Refrigerator Freezer**

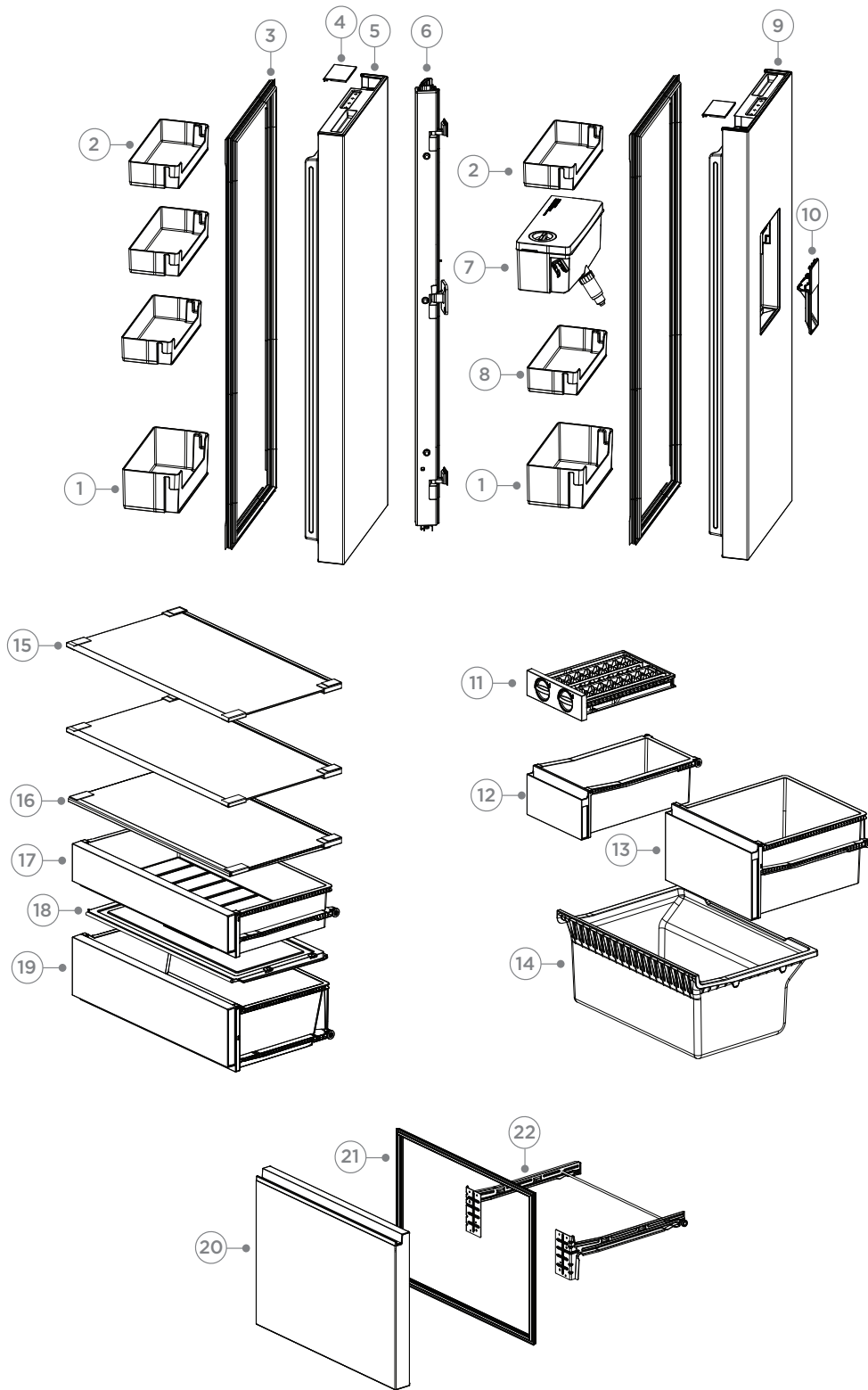
HRF510FHS HA AA

Product Code  
**62296-A**

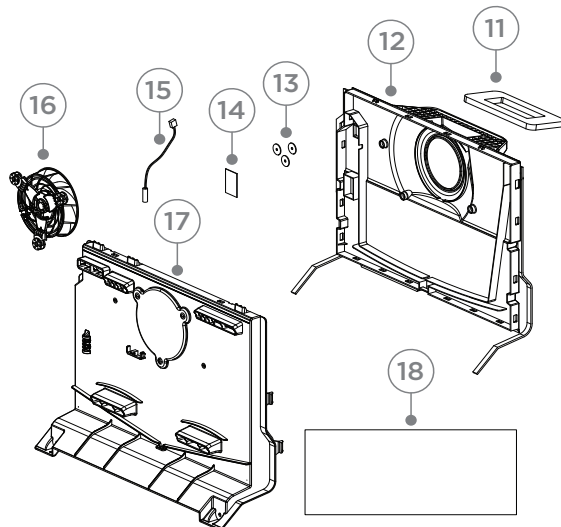
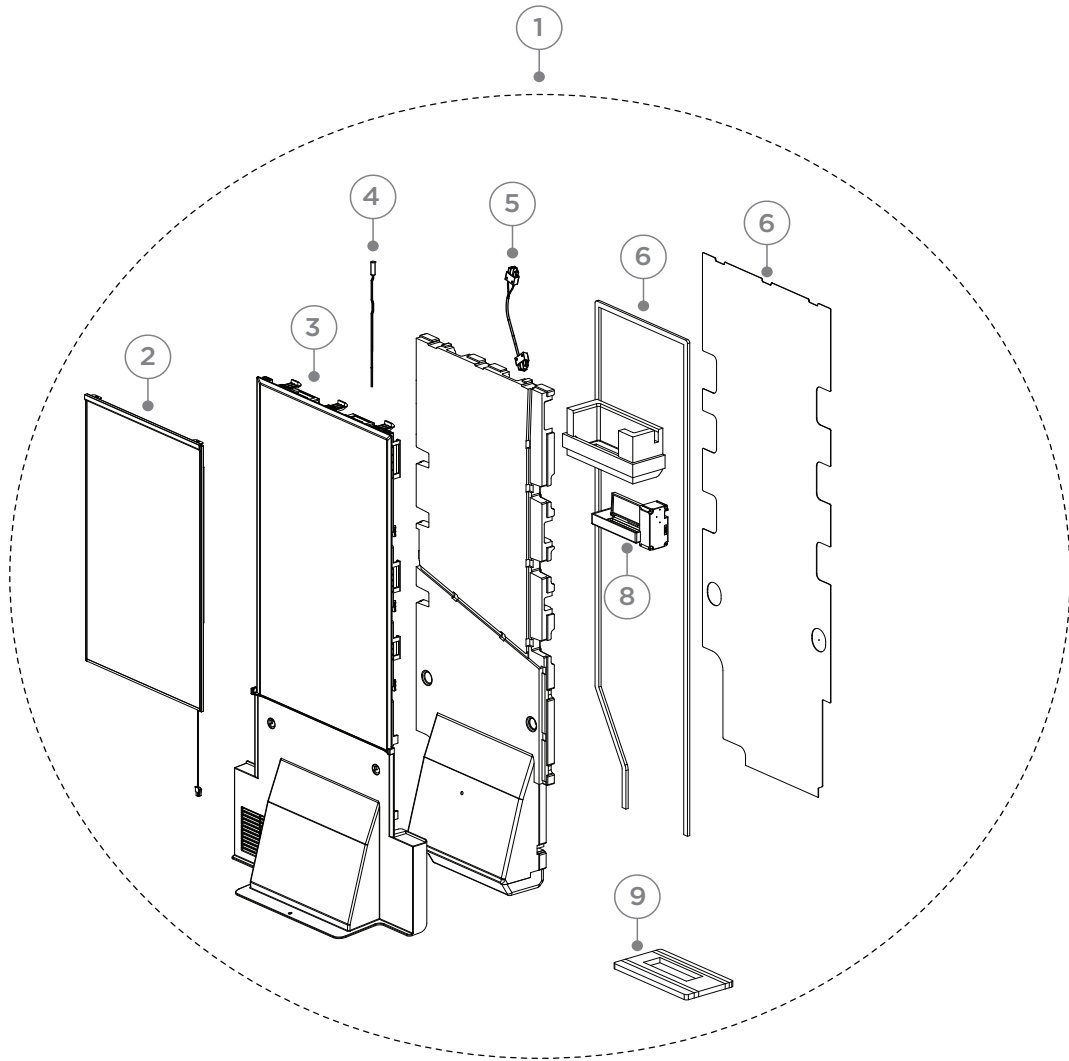
AU NZ

# **Haier**

# DOORS & SHELVES

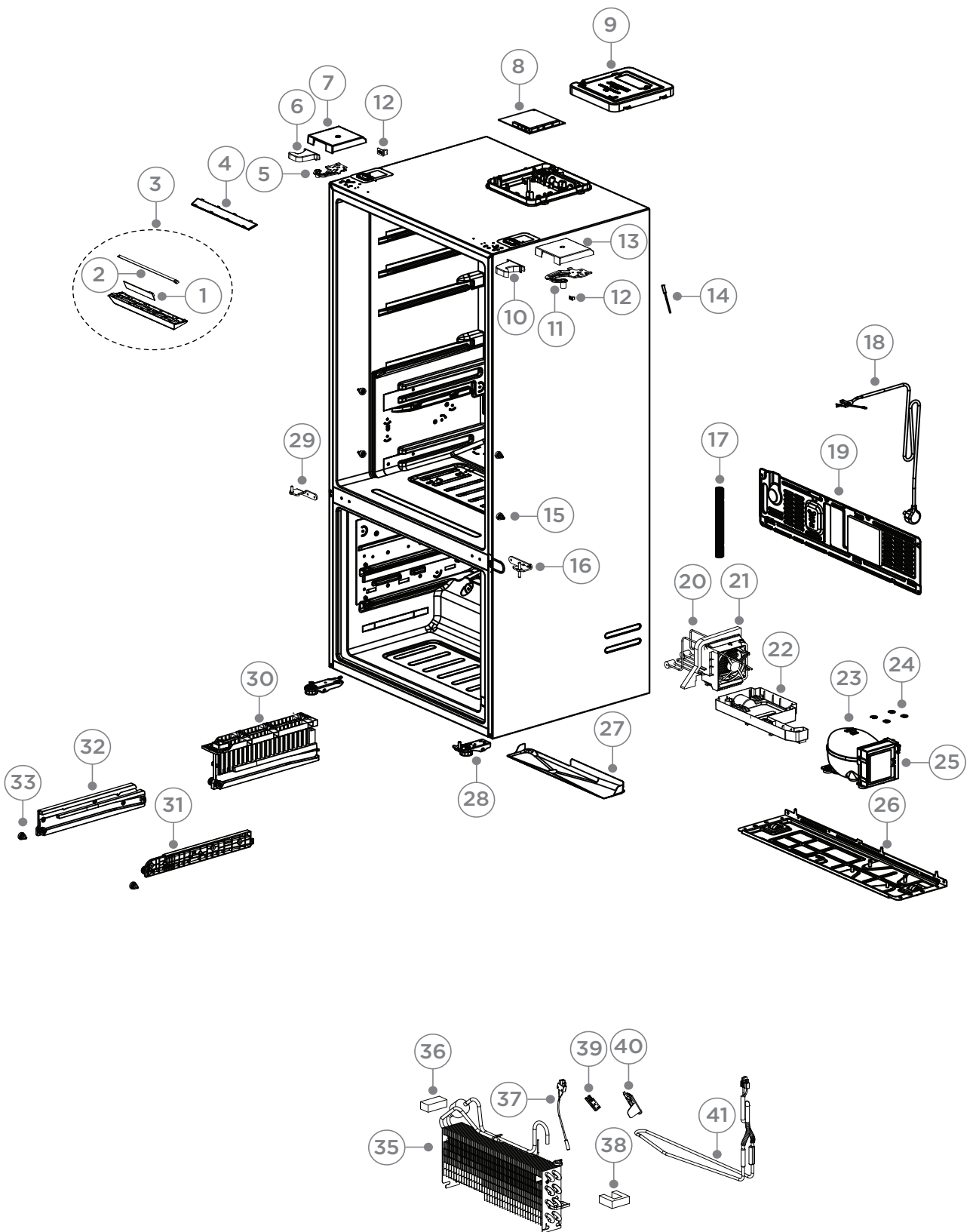


# FRIDGE & FREEZER DUCTS

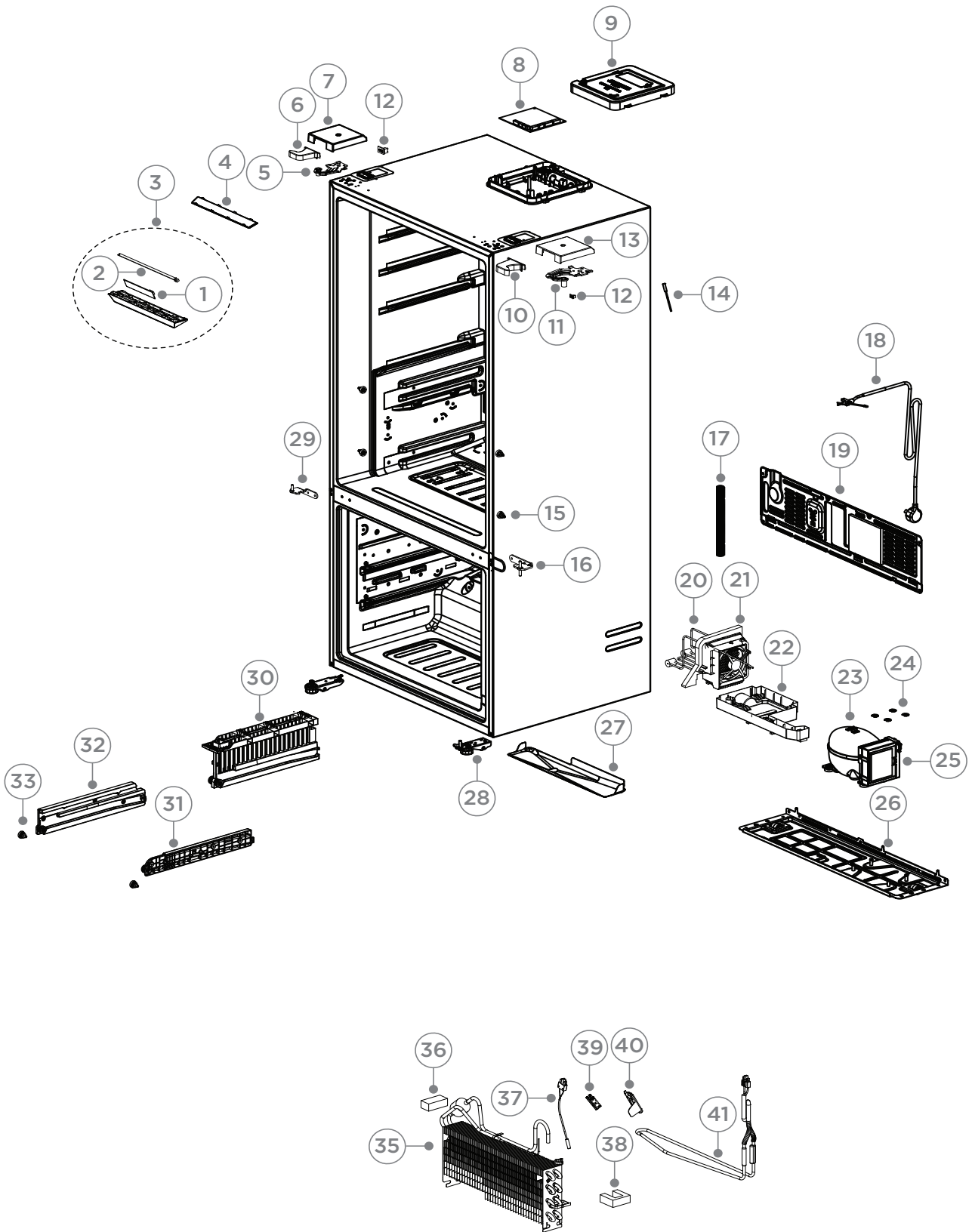


DWG007079

# INTERNAL & REAR CABINET



# INTERNAL & REAR CABINET



DWG007078